

Teamsonic Industrial Co., Ltd.

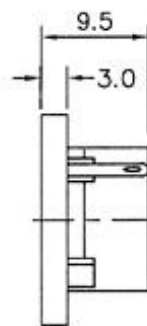
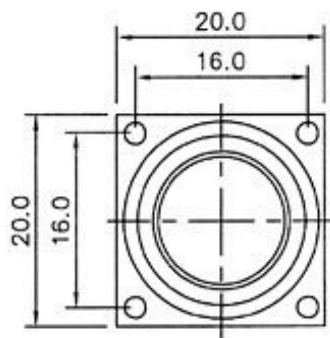
Specification of Slim Paper Speaker

our P/No.	P202AG2	Size	20x20 mm
-----------	----------------	------	-----------------

Test Items	Rated Requirements	Test Conditions
1. Shape	Round	~
2. Type	Slim paper speaker	Plastic frame
3. Impedance	$8 \Omega \pm 15\%$	at 1.0K Hz 1.0 V
4. Resonant Freq.	560 ± 112 Hz	~
5. Output S. P. L.	78 ± 2 dB	at 0.8, 1.0, 1.2, 1.5 KHz (1W/0.5M)
6. Freq. Range	500 - 18K Hz	Average S. P. L. for - 10dB
7. Normal Power	2.0 W	~
8. Max. Power	5.0 W	~
9. T. H. Distortion	Max. 5%	at 1.0K Hz
10. Net Weight	7 g	~
11. Baffle Opening	$\phi 17.6$ mm	~

2. Drawing:

Unit: mm



$\phi 1.6$ - 4 holes

